



DESIGO – new efficient technology for your building management

Modernize INTEGRAL systems for the future and protect your investment



Answers for infrastructure.

SIEMENS



Step-by-step modernization of INTEGRAL systems with DESIGO

DESIGO™ offers you open, future-proof technology with greater convenience, more flexibility, and higher energy efficiency for your building management system.

You can benefit from all these advantages with your INTEGRAL system: Because DESIGO allows you to modernize it in small affordable steps that can be optimally planned – with the foresight to reduce the risk of sudden failure of aging equipment. At management level with DESIGO INSIGHT and with DESIGO PX automation stations. An economical transition to the next system generation is ensured. Thus you will continue to have your building under control – easily, safely, and efficiently.

DESIGO – flexible, open, and future-proof with state-of-the-art technology

■ Cost-effective modernization

Step-by-step modernization lets you avoid an expensive complete replacement. While your existing infrastructure will be reused cost-efficiently, obsolete INTEGRAL components will be replaced step-by-step by DESIGO. From the DESIGO INSIGHT management station to the DESIGO PX automation stations. Whatever components you need and your budget allows. You can thus optimally plan the modernization in terms of time and costs, and take proactive measures before replacement becomes necessary. That increases the value of your plant and protects your most recent system investments.

■ New investment protection for the future

With every modernization step you take, you benefit from DESIGO – whether it's the new operating comfort, future-proof standards such as BACnet™ or increased energy efficiency. At the same time, the risk of system errors, downtimes, and the need for replacement is minimized. Your maintenance costs decrease and your system intelligence and efficiency increase.

Opting for DESIGO is an important decision for the future. As the life cycle of INTEGRAL comes to an end, your building automation system starts a new era with DESIGO.

■ Tailored modernization thanks to many years of experience

With DESIGO, your modernization process is optimally tailored to your requirements and resources. Thanks to Siemens' many years of experience with HVAC control technology, DESIGO is designed for high flexibility and investment protection. We perform a comprehensive building analysis to identify your system's modernization potential.

■ Saving energy with new technology

With optimized control strategies, DESIGO ensures maximum comfort combined with minimum energy costs. Thus you save up to 50 percent of energy costs through the energy-optimized control of the heating, cooling, humidification, and dehumidification processes. Integrated energy saving functions and intelligent energy management also reduce electricity and heat consumption – and your operating costs.

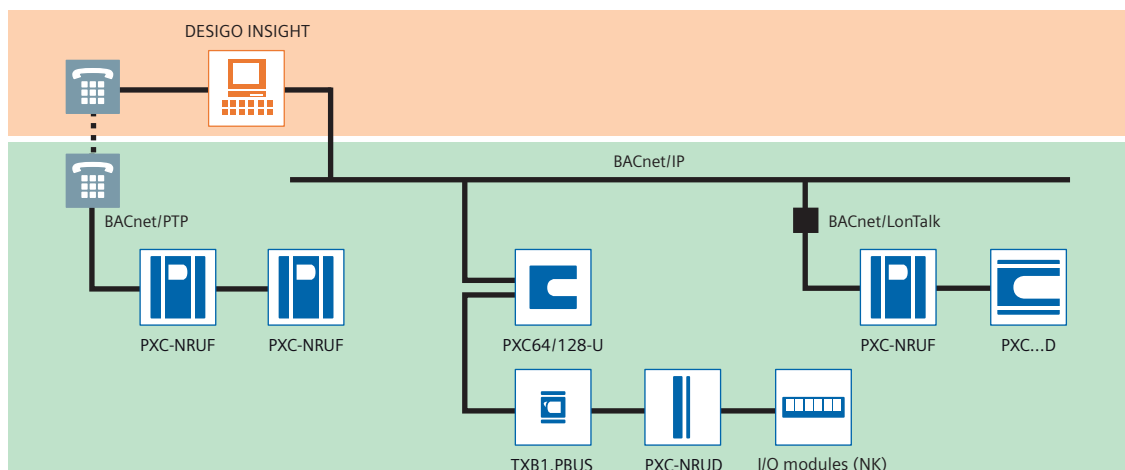
■ Compatible for today, flexible for tomorrow

- Seamless integration of the existing INTEGRAL installation into DESIGO
- Expansions with state-of-the-art technology
- Support of internationally recognized, open communication standards, such as BACnet, LonWorks®, KNX, and Modbus
- Comprehensive overview and simple operation thanks to DESIGO INSIGHT

Highlights

- High cost-efficiency – through step-by-step modernization with small investment steps
- Long-term investment protection – thanks to a highly open, flexible, and efficient system
- Modernization that meets your exact requirements – based on many years of experience and intensive analysis
- Considerable energy savings – through optimized control strategies and energy saving functions
- High sustainability – thanks to the latest technology, high flexibility, and open communication
- Minimized failure risk – by timely replacement of aging equipment

INTEGRAL modernization solution



Siemens Switzerland Ltd
Building Technologies Division
International Headquarters
Gubelstrasse 22
CH-6301 Zug
Tel +41 41 724 24 24
Fax +41 41 724 35 22

Siemens Building Technologies
Brunel House
Sir William Siemens Square, Frimley
Camberley
Surrey, GU16 8QD
United Kingdom
Tel +44 1276 696000
Fax +44 1276 696133

Siemens Ltd
Building Technologies
Units 1006-10
10/F, China Resources Building
26 Harbour Road
Wanchai, Hong Kong
Tel +852 2870 7888
Fax +852 2870 7880

The information in this document contains general descriptions of technical options available, which do not always have to be present in individual cases. The required features should therefore be specified in each individual case at the time of closing the contract.

Subject to change • Order no. 0-92158-en •
© Siemens Switzerland Ltd • Printed in Switzerland • 10811